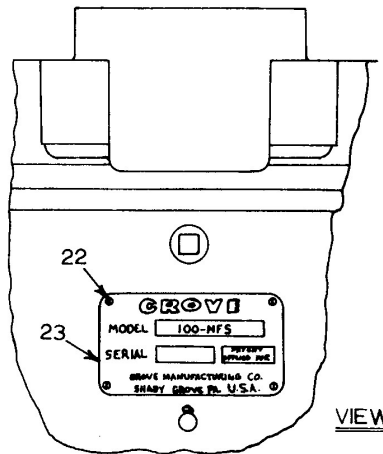
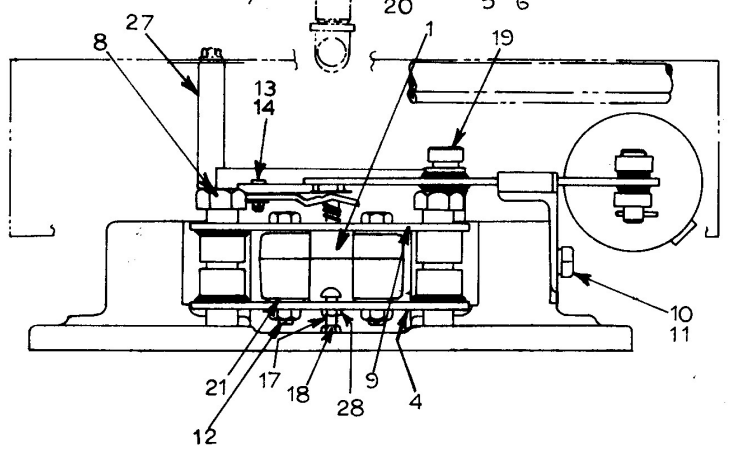


INSTALL BRAKE ASS'Y. AS SHOWN IN RELATION TO FILLER ASS'Y FOR 2535 IND. ONLY.

INSTALL BRAKE ASS'Y. AS SHOWN, IN RELATION TO FILLER ASS'Y FOR 36 IND. ONLY.

FOR 36 & 2535 IND.
AS NOTED



VIEW "A-A"

6-188-000049

6188000049

(SHEET 1 OF 1)

36XXe 176